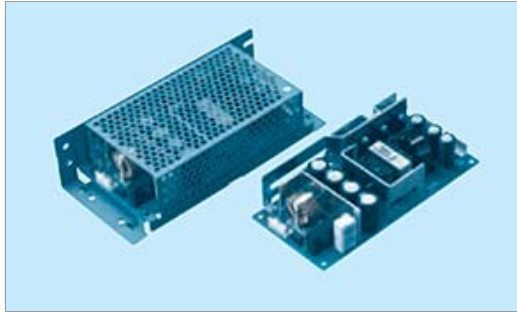


[Home](#) > Product Details

LGA150A



Features

- Small and compact PCB construction
- Built-in Over Current Protection
- Built-in Over Voltage Protection
- RoHS Compliant
- UL US and UL Canada Recognized
- TUV Certified, CE Mark (Low Voltage Directive)

Safety Agency Approvals

- Complies with DEN-AN
- UL60950-1
- C-UL (CSA60950-1, TUV EN60950-1)

CE Markings

- Low Voltage Directive

EMC Compliance

- FCC-B
- VCCI-B
- CISPR-B
- EN55022-B
- EN55011-B

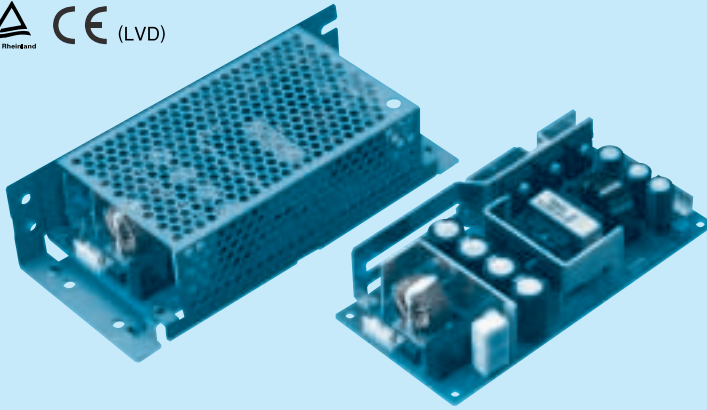
5 year warranty(refer to Instruction Manual)

Model	Input Voltage [V]	Output Wattage [W]	DC Output [V/A]
LGA150A-5-Y	DC 110 - 170 AC 85 - 132	150	5V 30A
LGA150A-12	DC 110 - 170 AC 85 - 132	150	12V 12.5A
LGA150A-24	DC 110 - 170 AC 85 - 132	151.2	24V 6.3A
LGA150A-24-H	DC 110 - 170 AC 85 - 132	151.2	24V 6.3A (peak 7.9A)

LGA150A

LG A 150 A -5 -□

① ② ③ ④ ⑤ ⑥



**Recommended Noise Filter
NAC-06-472**



High voltage pulse noise type : NAP series
Low leakage current type : NAM series
*The Noise Filter is recommended to connect with several devices.

- ① Series name
- ② Single output
- ③ Output wattage
- ④ 100/120V input
- ⑤ Output voltage
- ⑥ Optional
- C :with Coating
- G :Low leakage current
- H :with the function to be acceptable to output peak current (only 24V)
- J1 :VH(J.S.T.)connector type
- S :with Chassis
- SN:with Chassis & cover
- Y :with Potentiometer

This power supply is manufactured by SMD technology.The stress to P.C.B like twisting or bending causes the defect of the unit,so handle the unit with care.

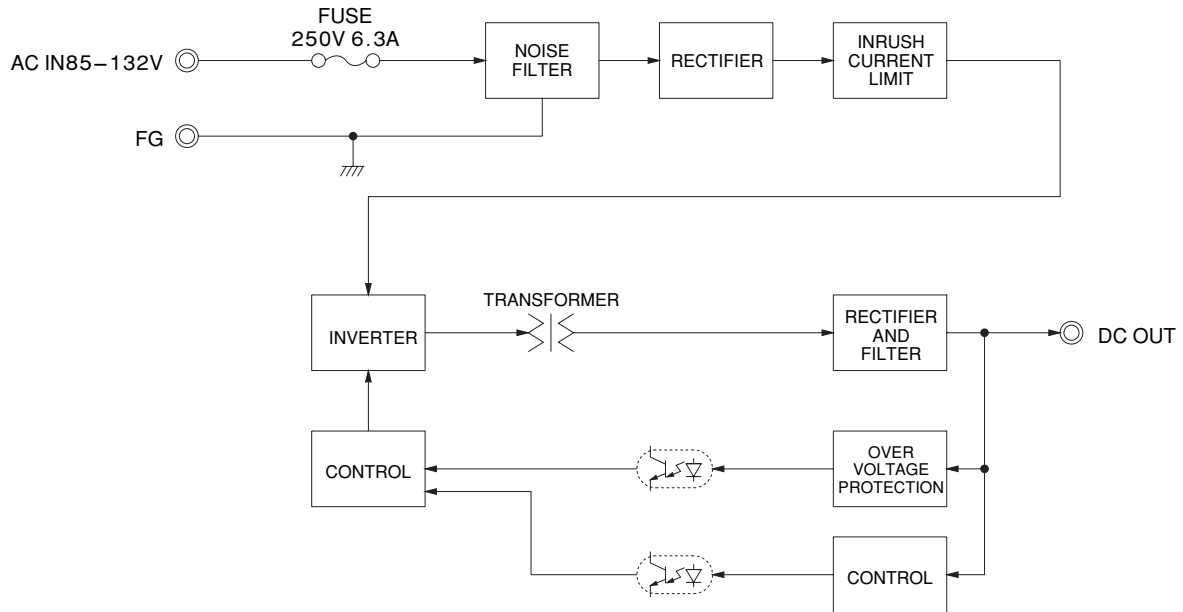
MODEL	LGA150A-5-Y	LGA150A-12	LGA150A-24	LGA150A-24-H
MAX OUTPUT WATTAGE[W]	150	150	151.2	151.2
DC OUTPUT	5V 30A	12V 12.5A	24V 6.3A	24V 6.3 (Peak 7.9) A

SPECIFICATIONS

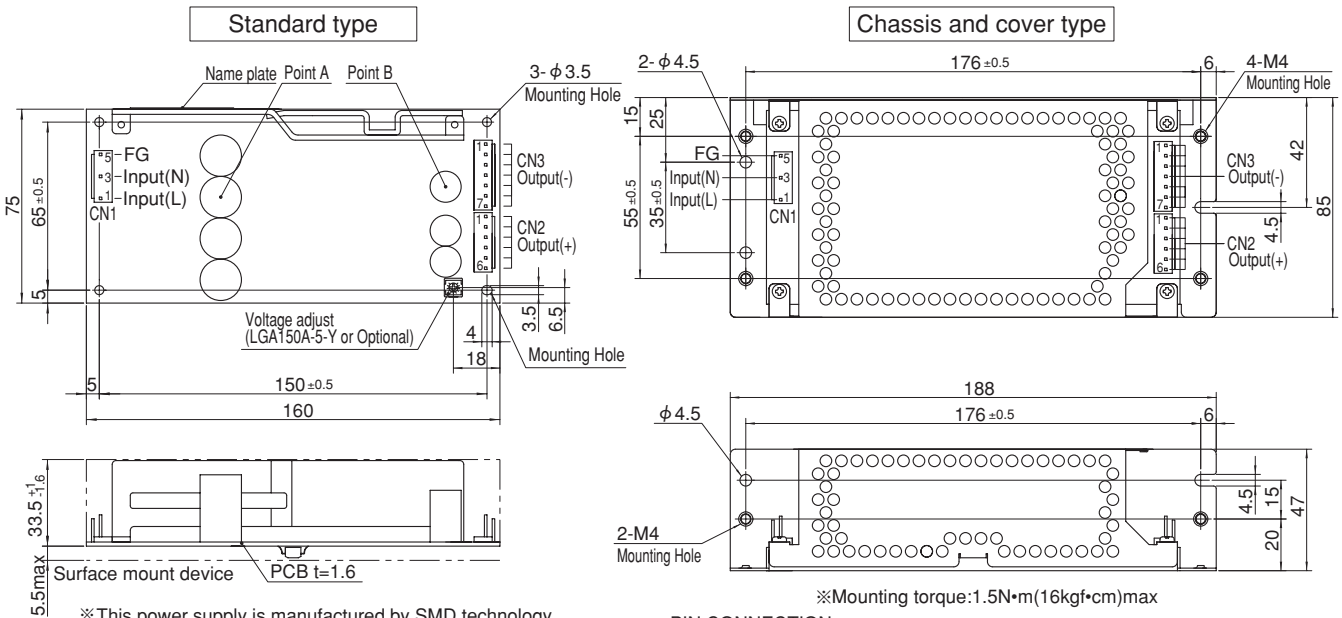
	MODEL	LGA150A-5-Y	LGA150A-12	LGA150A-24	LGA150A-24-H	
INPUT	VOLTAGE[V]	AC85 - 132 1 φ or DC110 - 170 (Refer to Instruction Manual 1.1, and 3.2 Derating)				
	CURRENT[A]	ACIN 100V	3.6typ (Io=100%)			
	FREQUENCY[Hz]	47 - 440 or DC (Refer to Instruction Manual 1.1)				
	EFFICIENCY[%]	ACIN 100V	82.0typ (Io=100%)	84.5typ (Io=100%)	87.0typ (Io=100%)	87.0typ (Io=100%)
	INRUSH CURRENT[A]	ACIN 100V	15 /15 typ (Primary / Secondary Surge Current, Io=100%, More than 10sec. to re-start)			
	LEAKAGE CURRENT[ma]	0.5max (ACIN 100V, 60Hz, Io=100%, According to IEC60950-1 and DEN-AN)				
OUTPUT	VOLTAGE[V]	5	12	24	24	
	CURRENT[A]	*3	30.0	12.5	6.3	6.3 (Peak 7.9)
	LINE REGULATION[mV]	20max				
	LOAD REGULATION[mV]	40max				
	RIPPLE[mVp-p]	0 to +40°C *1	80max	120max	120max	240max
		-10 - 0°C *1	140max	160max	160max	320max
	RIPPLE NOISE[mVp-p]	0 to +40°C *1	120max	150max	150max	300max
		-10 - 0°C *1	160max	180max	180max	360max
	TEMPERATURE REGULATION[mV]	0 to +40°C	50max	120max	240max	240max
		-10 to +40°C	60max	150max	290max	290max
	DRIFT[mV]	*2	20max	48max	96max	96max
START-UP TIME[ms]	200max (ACIN 100V, Io=100%)					
HOLD-UP TIME[ms]	20typ (ACIN 100V, Io=100%)					
OUTPUT VOLTAGE ADJUSTMENT RANGE[V]	4.5 - 5.5	Fixed ("Y"which can be adjusted the output is available as optional ±10%)				
OUTPUT VOLTAGE SETTING[V]	5.00 - 5.15	11.50 - 12.50	23.00 - 25.00	23.00 - 25.00		
PROTECTION CIRCUIT AND OTHERS	OVERCURRENT PROTECTION	Works over 105% of rating (works over 101% of peak current at option -H) and recovers automatically				
	OVERVOLTAGE PROTECTION	5.75 - 7.00	13.80 - 16.80	27.60 - 35.00	27.60 - 35.00	
	OPERATING INDICATION	Not provided				
	REMOTE SENSING	Not provided				
ISOLATION	REMOTE ON/OFF	Not provided				
	INPUT-OUTPUT	AC2,000V 1minute. Cutoff current = 10mA, DC500V 50MΩ min (At Room Temperature)				
	INPUT-FG	AC2,000V 1minute. Cutoff current = 10mA, DC500V 50MΩ min (At Room Temperature)				
ENVIRONMENT	OUTPUT-FG	AC500V 1minute. Cutoff current = 25mA, DC500V 50MΩ min (At Room Temperature)				
	OPERATING TEMP.,HUMID.AND ALTITUDE	-10 to +60°C, 20 - 90%RH (Non condensing) (Refer to DERATING CURVE), 3,000m (10,000feet) max				
	STORAGE TEMP.,HUMID.AND ALTITUDE	-20 to +75°C, 20 - 90%RH (Non condensing), 9,000m (30,000feet) max				
	VIBRATION	10 - 55Hz, 19.6m/s ² (2G), 3minutes period, 60minutes each along X, Y and Z axis				
SAFETY AND NOISE REGULATIONS	IMPACT	196.1m/s ² (20G), 11ms, once each X, Y and Z axis				
	AGENCY APPROVALS	UL60950-1, C-UL (CSA60950-1), EN60950-1 Complies with DEN-AN				
	CE MARKING	Low Voltage Directive				
OTHERS	CONDUCTED NOISE	Complies with FCC-B, VCCI-B, CISPR-B, EN55011-B, EN55022-B				
	CASE SIZE/WEIGHT	75 x 39 x 160mm (W x H x D) / 420g max (without chassis and cover)				
	COOLING METHOD	Convection				

*1 This is the value that measured on measuring board with capacitor of 22 μF at 150mm from output terminal. Measured by 20MHz oscilloscope or Ripple-Noise meter (Equivalent to KEISOKU-GIKEN: RM-103).
 *2 Drift is the change in DC output for an eight hour period after a half-hour warm-up at 25°C, with the input voltage held constant at the rated input/output.
 *3 Peak loading for 10sec.And Duty 35% max.or less is acceptable if the total wattage is less than the rated wattage. Refer to instruction Manual 5. In detail.
 * Avoid prolonged use under over - load.
 * Parallel operation with other model is not possible.
 * Derating is required when operated with chassis and cover.
 * A sound may occur from power supply at pulse loading.

Block diagram



External view



- ※ This power supply is manufactured by SMD technology. The stress to P.C.B like twisting or bending causes the defect of the unit, so handle the unit with care. Take care for SMD parts on the back to come in contact because of the vibration and not to break down.
- ※ Use the spacer of 8mm length or more.
- ※ 4 Mounting holes are existing.

I/O Connector	Mating connector	Terminal
CN1	1-1123724-3	Chain 1123721-1
		Loose 1318912-1
CN2	1-1123723-6	Chain 1123721-1
		Loose 1318912-1
CN3	1-1123723-7	Chain 1123721-1
		Loose 1318912-1

(Mfr: Tyco Electronics AMP)

- ※ I/O Connector is Mfr Tyco Electronics AMP
- ※ Option: -J1: VH(J.S.T) connector type. Refer to instruction Manual 5.

※ Mounting torque: 1.5N•m(16kgf•cm)max

<PIN CONNECTION>

CN1		CN2		CN3	
Pin No.	Input	Pin No.	Output	Pin No.	Output
1	AC(L)	1 to 6	+V	1 to 7	-V
2					
3	AC(N)				
4					
5	FG				

※ Keep drawing current per pin below 5A for CN2, CN3.

- ※ Tolerance: ±1
- ※ Weight: 420g max (without chassis and cover)
- ※ PCB material / thickness: CEM3 / 1.6mm
- ※ Optional chassis and cover material: Electric galvanizing steel board.
- ※ Dimensions is mm